

Waterproof Tact Switch (Vertical, TH Type)



TSG-91/92T-XXX


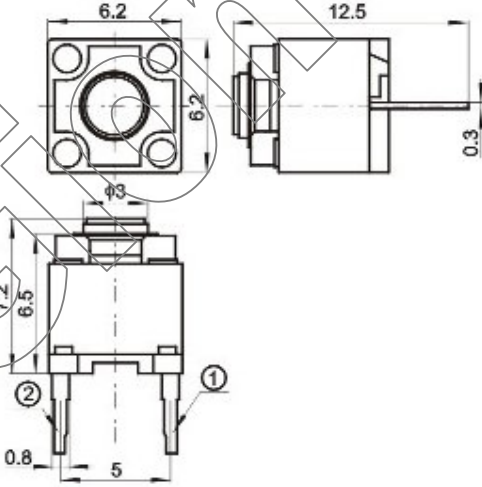
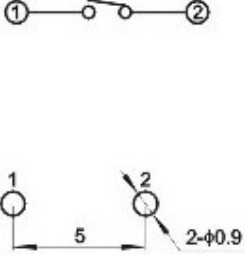
TS - Tact Switch
 G - G Serious
 91 / 92 – Type
 T - TH Type
 XXX - Action Force (gram)
 H - With Post (Optional)

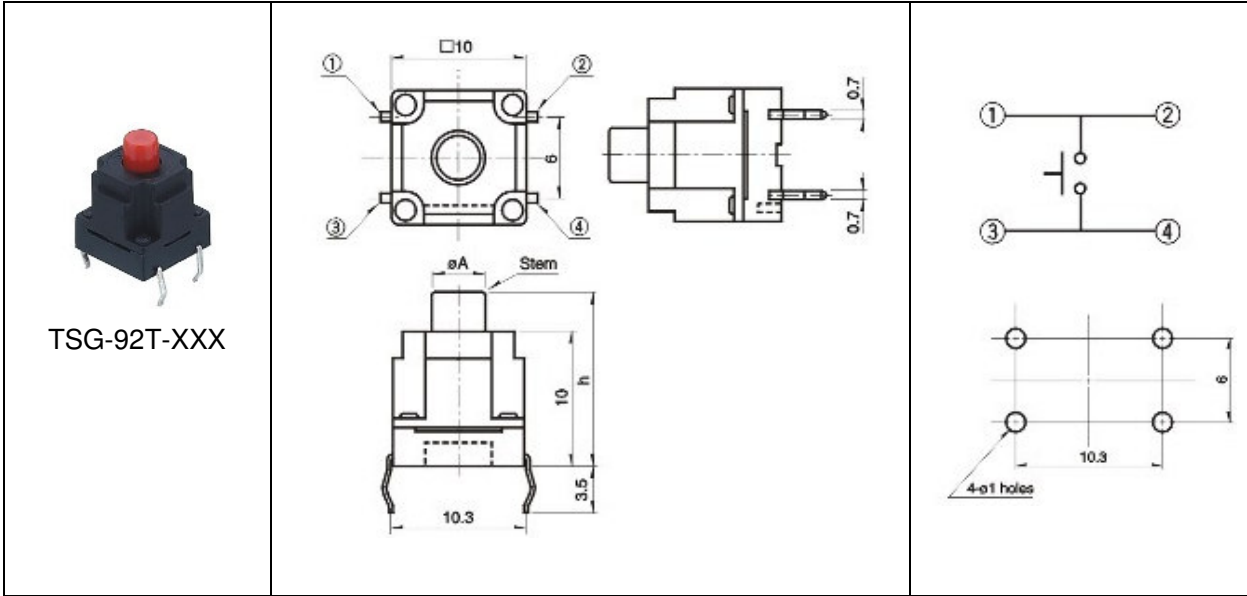
SPECIFICATIONS

Mechanical Life: 100,000 cycles
 Operating Force: 180g±50g, 250g±50g
 Travel: 0.3±0.1mm
 Rating: 50mA 12V DC
 Dielectric withstanding: 250V AC/minute
 Insulator resistance: ≥ 100 MΩ at 100V
 Contact resistance: ≤ 100 mΩ/Contact
 Operating temperature: -40°C ~ +90°C
 Storage temperature: -40°C ~ +105°C

Material

Base: PA66/PA6T, UL94V-0
 Contact material: Phosphor Bronze
 Contact Spring Plating: Stainless Steel/Silver Plating

Physical Picture	Outline Drawing	Circuit
 <p>TSG-91T-XXX</p>		



GionTech